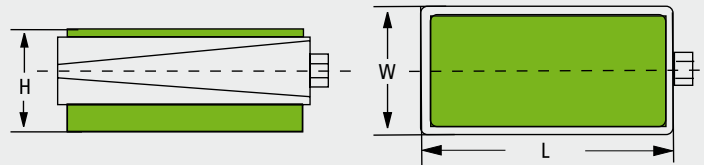




Krauss Maffei injection molding machine on precision wedge mounts



A

range of application
Component Set A

Top:
anti skid plate BR 7-1
Bottom:
Insulating plate B 4-1

General tool and graphic machines, in particular machines with horizontal components.
High anti-slip protection!

Type	load N/pc.	L mm	W mm	H in intermediate pos. mm	range of adjustment mm
PK 1-A	5400	105	55	59	+4 / -5
PK 2-A	10000	150	75	63	+5 / -6
PK 3-A	18000	200	95	67	+6 / -5
PK 3/72-A	18000	200	95	94	+5 / -4
PK 4-A	38000	200	200	70	+5 / -8
PK 4/72-A	38000	200	200	94	+6 / -12
PK 5-A	48000	200	250	94	+10 / -7
PK 6-A	81000	250	330	94	+8 / -10
PK 7-A	118000	300	400	94	+8 / -11
PK 8-A	197000	400	500	97	+9 / -13
PK 9-A	296000	500	600	127	+13 / -15



B

range of application
Component Set B

Top:
anti skid plate BS
Bottom:
Insulating plate BO

Special design for CNC lathes, surfaces and cylindrical grinders, drilling and milling machines, machining centers, transfer lines.

Type	load N/pc.	L mm	W mm	H in intermediate pos. mm	range of adjustment mm
PK 1-B	6500	105	55	54	+4 / -5
PK 2-B	13000	150	75	58	+5 / -6
PK 3-B	22000	200	95	63	+6 / -5
PK 3/72-B	22000	200	95	89	+5 / -4
PK 4-B	47000	200	200	66	+5 / -8
PK 4/72-B	47000	200	200	89	+6 / -12
PK 5-B	58000	200	250	89	+10 / -7
PK 6-B	97000	250	330	89	+8 / -10
PK 7-B	142000	300	400	89	+8 / -11
PK 8-B	236000	400	500	92	+9 / -13
PK 9-B	355000	500	600	122	+13 / -15



C

range of application
Component Set C

Top:
anti skid plate BS
Bottom:
Insulating plate B 32

For highly effective insulations in the active and passive range. In particular when used on upper floors. Please ask for our advice, without obligation, regarding any critical situation.

Type	load N/pc.	L mm	W mm	H in intermediate pos. mm	range of adjustment mm
PK 1-C	4500	105	55	64	+4 / -5
PK 2-C	8700	150	75	68	+5 / -6
PK 3-C	15000	200	95	73	+6 / -5
PK 3/72-C	15000	200	95	99	+5 / -4
PK 4-C	31000	200	200	76	+5 / -8
PK 4/72-C	31000	200	200	99	+6 / -12
PK 5-C	39000	200	250	99	+10 / -7
PK 6-C	65000	250	330	99	+8 / -10
PK 7-C	95000	300	400	99	+8 / -11
PK 8-C	157000	400	500	102	+9 / -13
PK 9-C	237000	500	600	132	+13 / -15

Precision Wedge Mounts

for vibration and structure-borne noise isolation

○ Precision Leveling Wedge

BILZ Precision Leveling Wedge PK are manufactured in three different types; free standing (PK Series), bolt-on to the machine (PKA Series), bolt-through to the foundation (PKD Series). The design permits the highest precision leveling range of 1/100 mm. Creep from their preset position is prevented by the self-locking design. Large support surfaces provide optimum foundation support and rigidity. Any of the BILZ Isolation materials can be bonded to the leveling wedge to provide the required isolation.

Notice: We are always pleased to fulfill special requests!

Wrench sizes A / F for BILZ PKs

Type	inside	outside	Type	inside	outside
PK 1	SW 6	SW 13	PKA/PKD 1	SW 10	SW 19
PK 2	SW 10	SW 19	PKA/PKD 2	SW 12	SW 22
PK 3	SW 12	SW 22	PKA/PKD 3	SW 12	SW 22
PK 4	SW 12	SW 22	PKA/PKD 4	SW 14	SW 27
PK 5	SW 14	SW 27	PKA/PKD 5	SW 14	SW 27
PK 6	SW 14	SW 27	PKA/PKD 6	SW 17	SW 32
PK 7	SW 17	SW 32	PKA/PKD 7	SW 19	SW 41
PK 8	SW 19	SW 41	PKA/PKD 8	SW 22	SW 50
PK 9	SW 22	SW 50			



D

range of application
Component Set D

Top:
anti skid plate BR 7-1
Bottom:
Insulating plate B 5

For machines with extremely high dynamic forces such as presses, stamping machines, shears etc.

Type	load N/pc.	L mm	W mm	H in intermediate pos. mm	range of adjustment mm
PK 1-D	8700	105	55	67	+4 / -5
PK 2-D	17000	150	75	71	+5 / -6
PK 3-D	29000	200	95	76	+6 / -5
PK 3/72-D	29000	200	95	104	+5 / -4
PK 4-D	62000	200	200	79	+5 / -8
PK 4/72-D	62000	200	200	104	+6 / -12
PK 5-D	75000	200	250	104	+10 / -7
PK 6-D	129000	250	330	104	+8 / -10
PK 7-D	189000	300	400	104	+8 / -11
PK 8-D	315000	400	500	107	+9 / -13
PK 9-D	470000	500	600	137	+13 / -15



E

range of application
Component Set E

Top:
anti skid plate BS
Bottom:
Insulating plate BS

For all machines and systems requiring no vibration insulation. Ideally suited for assembly. Good stability due to non-slip character of plates extremely low construction!

Type	load N/pc.	L mm	W mm	H in intermediate pos. mm	range of adjustment mm
PK 1-E	16000	105	55	41	+4 / -5
PK 2-E	33000	150	75	45	+5 / -6
PK 3-E	55000	200	95	49	+6 / -5
PK 3/72-E	55000	200	95	76	+5 / -4
PK 4-E	117000	200	200	52	+5 / -8
PK 4/72-E	117000	200	200	76	+6 / -12
PK 5-E	145000	200	250	76	+10 / -7
PK 6-E	240000	250	330	76	+8 / -10
PK 7-E	355000	300	400	76	+8 / -11
PK 8-E	590000	400	500	79	+9 / -13
PK 9-E	885000	500	600	109	+13 / -15



F

range of application
Component Set F

Top:
anti skid plate BS
Bottom:
Insulating plate B 6

For extremely high loadability. Very high level constancy.

Type	load N/pc.	L mm	W mm	H in intermediate pos. mm	range of adjustment mm
PK 1-F	21000	105	55	54	+4 / -5
PK 2-F	43000	150	75	58	+5 / -6
PK 3-F	70000	200	95	63	+6 / -5
PK 3/72-F	70000	200	95	89	+5 / -4
PK 4-F	150000	200	200	66	+5 / -8
PK 4/72-F	150000	200	200	89	+6 / -12
PK 5-F	190000	200	250	89	+10 / -7
PK 6-F	310000	250	330	89	+8 / -10
PK 7-F	450000	300	400	89	+8 / -11
PK 8-F	750000	400	500	92	+9 / -13
PK 9-F	1150000	500	600	122	+13 / -15



Gildemeister NEF 330 on precision leveling wedge mounts

○ Precision Leveling Wedge Mounts, Series PKA (bolt-on)

BILZ precision leveling wedge PKA are used where a firm mounting with the machine is required. Preferably on machines with a high axial thrust such as die-casting machines, injection machines, shock testing machines, and cold extrusion presses etc.

Notice: We are always pleased to fulfill special requests!

PKA 1-0 up to PKA 8-0

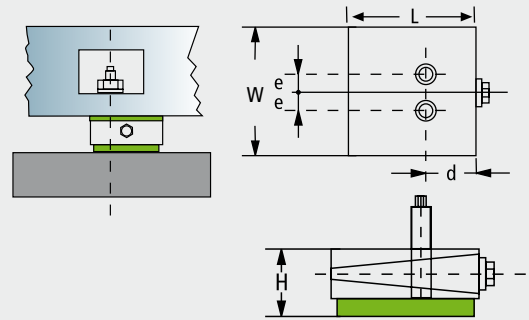
Range of application:

lathes, horizontal drilling machines, surface and cylindrical grinders, machining centers

Equipment:

Bottom: **insulating plate BO**

type	load N/pc.	L mm	W mm	H in intermediate pos. mm	d mm	e mm	inside thread	range of adjustment mm
PKA 1-0	15000	115	115	60	50	24	M 16	+3 / -4
PKA 2-0	25000	150	150	63	60	23	M 18	+4 / -4
PKA 3-0	47000	200	200	63	75	27	M 20	+5 / -5
PKA 3/72-0	47000	200	200	87	75	27	M 20	+6 / -12
PKA 4-0	58000	200	250	88	95	27	M 20	+10 / -7
PKA 5-0	97000	250	330	88	125	105	M 24	+8 / -10
PKA 6-0	142000	300	400	90	150	95	M 24	+8 / -11
PKA 7-0	236000	400	500	90	200	130	M 24	+9 / -13
PKA 8-0	355000	500	600	120	255	150	M 30	+13 / -15
PKA 1-4	12000	115	115	60	50	24	M 16	+3 / -4
PKA 2-4	21000	150	150	63	60	23	M 18	+4 / -4
PKA 3-4	38000	200	200	63	75	27	M 20	+5 / -5
PKA 3/72-4	38000	200	200	87	75	27	M 20	+6 / -12
PKA 4-4	48000	200	250	88	95	27	M 20	+10 / -7
PKA 5-4	81000	250	330	88	125	105	M 24	+8 / -10
PKA 6-4	118000	300	400	90	150	95	M 24	+8 / -11
PKA 7-4	197000	400	500	90	200	130	M 24	+9 / -13
PKA 8-4	296000	500	600	120	255	150	M 30	+13 / -15



PPKA 1-4 up to PKA 8-4

Range of application: Plastic extrusion machines, pressure diecasting machines, planers, shock testing machines, cold extrusion presses etc.

Equipment: Bottom: **insulating plate B 4-1**

Very good anti-slip properties.

Screws can be supplied upon request (page 15).

○ Precision Wedge Mounts, Series PKD (bolt-through)

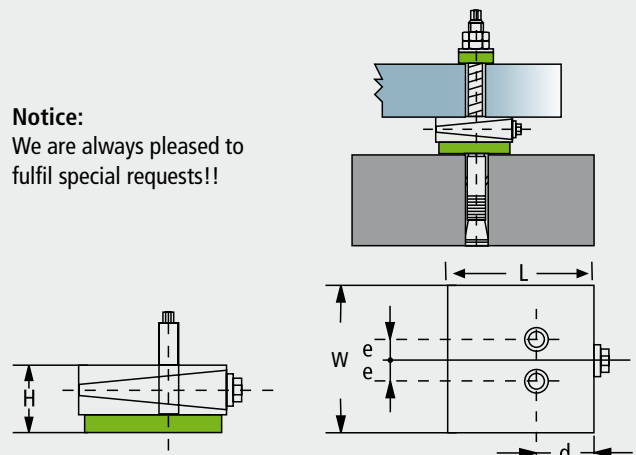
BILZ precision leveling wedge PKD are used for machines which need to be fixed to a foundation, due their unfavourable stability. Also for machines which must be "squeezed" or "pulled" when being aligned – e.g. for machines with little natural rigidity!

PKD 1-0 bis PKD 8-0

Range of application: drilling and milling machines, machining centers, special machines, long lathes, long planers

Bottom: **Insulating plate BO**

Screws, nuts and anchors can be supplied upon request (page 15).



Notice:
We are always pleased to fulfill special requests!!

type	load N/pc.	L mm	W mm	H in intermed- iate pos. mm	d mm	e mm	bore Ø	range of ad- justment mm
PKD 1-0	15000	115	115	60	50	24	22	+3 / -4
PKD 2-0	25000	150	150	63	60	23	22	+4 / -4
PKD 3-0	47000	200	200	63	80	27	26	+5 / -5
PKD 3/72-0	47000	200	200	87	75	27	26	+6 / -12
PKD 4-0	58000	200	250	88	95	27	26	+10 / -7
PKD 5-0	97000	250	330	88	125	105	26	+8 / -10
PKD 6-0	142000	300	400	90	150	95	30	+8 / -11
PKD 7-0	236000	400	500	90	200	130	35	+9 / -13
PKD 8-0	355000	500	600	120	255	150	35	+13 / -15

With spherical seating PKAK/PKDK

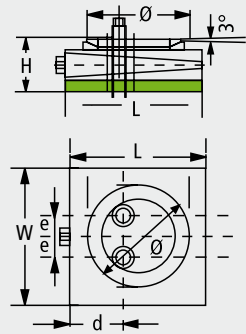
Precision Wedge Mounts, Series PKAK (bolt-on)
Series PKDK (bolt-through)

BILZ precision leveling wedge PKAK / PKDK are used to compensate angular differences between machines and foundations. Especially for machines with a long bed and high demands in alignment.

PKDK 1-0 up to PKDK 4-0

Range of application: drilling and milling machines, machining centers, special machines, long lathes, long planers

Bottom: Insulating plate BO



type	load N/pc.	L mm	W mm	H intermedia- ate pos. mm	Ø mm	d mm	e mm	bore / threaded Ø	range of ad- justment mm
PKAK 1-0	15000	115	115	70	110	50	24	M 16	+3 / -4
PKAK 2-0	25000	150	150	78	150	60	23	M 18	+4 / -4
PKAK 3-0	47000	200	200	79	150	80	27	M 20	+5 / -5
PKAK 4-0	58000	200	250	104	150	95	27	M 20	+10 / -7
PKDK 1-0	15000	115	115	70	110	50	24	22	+3 / -4
PKDK 2-0	25000	150	150	78	150	60	23	22	+4 / -4
PKDK 3-0	47000	200	200	79	150	75	27	26	+5 / -5
PKDK 4-0	58000	200	250	104	150	95	27	26	+10 / -7

Precision Wedge Mounts PKA-AL/PKD-AL

Aluminium design ranges bolt-on and bolt-through

BILZ precision levelling wedges in a new hard anodised aluminium design (hard coated) are characterised by a high layer density, with a high level of hardness – up to 600 HV, with excellent wear resistance properties. The levelling wedge is easy to adjust and particularly suitable for EMC applications.

Colours: natural colour dark grey

PKA/PKD 1 to PKA/PKD 4 AL

Field of application: for machines in the food and beverage industry, machines for packaging, chemical and pharmaceutical industry. We offer special high-performance models without lubricant for use in clean rooms. Contact us!

Note: All sizes can be supplied with spherical seat compensation. BILZ bonded insulation plates can also be supplied.



type	load N/pc.	L mm	W mm	H intermedia- ate pos. mm	d mm	e mm	bore / threaded Ø	range of ad- justment mm
PKA 1-AL	19000	115	115	45	50	24	M 16	+3 / -4
PKA 2-AL	32000	150	150	48	75	24	M 18	+4 / -4
PKA 3-AL	57000	200	200	48	75	27	M 20	+5 / -5
PKA 4-AL	72000	200	250	73	95	27	M 20	+10 / -7
PKD 1-AL	19000	115	115	45	50	24	22	+3 / -4
PKD 2-AL	32000	150	150	48	75	24	22	+4 / -4
PKD 3-AL	57000	200	200	48	75	27	26	+5 / -5
PKD 4-AL	72000	200	250	73	95	27	26	+10 / -7



Precision wedge mounts PKAE

In stainless steel

Notice: We are always pleased to fulfil special requests!!

type	load N/pc.	L mm	W mm	H intermedia- ate pos. mm	d mm	e mm	inside thread	range of ad- justment mm
PKAE 1-0	15000	115	115	60	50	24	M 16	+3 / -4
PKAE 2-0	25000	150	150	63	60	23	M 18	+4 / -4